

KEY FEATURES



- Compact and multi-functional luminaire for challenging applications
- Thermal separation of LED and power supply allows max ambient temperatures of up to +60°C
- Marine grade copper-free aluminum housing with multi-layer powder coated finish
- Approved for through-wiring of multiple luminaires on a single circuit
- Provided with standard glass or special order polycarbonate lens
- Available in two lumen output models with several beam profiles
- 3x 3/4" NPT Entries
- 0-10V dimmable

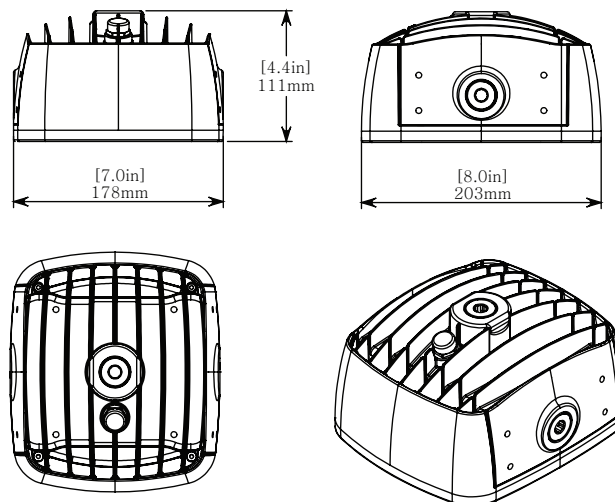


TECHNICAL SPECIFICATIONS / MAXIMUM RATINGS

HOUSING	Copper-free high pressure die-cast aluminum housing, glass or polycarbonate* protective lens, stainless steel fasteners
MOUNTING	SEE PAGE 3 & 4 FOR MOUNTING OPTIONS
INPUT VOLTAGE	AC: 120-277 VAC HV: 347 VAC (50/60Hz)
POWER (TYP)	JR2: 18 W JR4: 37 W
CURRENT (TYP)	JR2: AC 0.15A @ 120VAC HV 0.07A @ 347VAC JR4: AC 0.32A @ 120VAC HV 0.11A @ 347VAC
CONNECTIONS	3 x 3/4" NPT Entries
TEMPERATURE RANGE	-40°C to +60°C
CERTIFICATIONS	Conforms to: CSA C22.2 No. 250.0:21; CSA C22.2 No. 250.12:20; IEC 60529; UL 1598; UL 1598A; UL 8750
INGRESS PROTECTION	IP66/67 Suitable for wet locations Marine Outside type (Salt Water)
COLOUR TEMP RANGE	50: 5,000K Special Order: 2,700-6,500K
CRI VALUE (MIN)	50: 70 Higher CRI options available for special order
TOTAL LUMENS	JR2: GWC - 2,874 JR4: GWC - 5,227
LUMEN MAINTENANCE	LM-80 > 100,000 hrs*
WEIGHT	2.58 kg 5.68 lbs

*The ambient temperature during lifetime, lumen and chromaticity determination is 25°C ± 1°C

DIMENSIONS

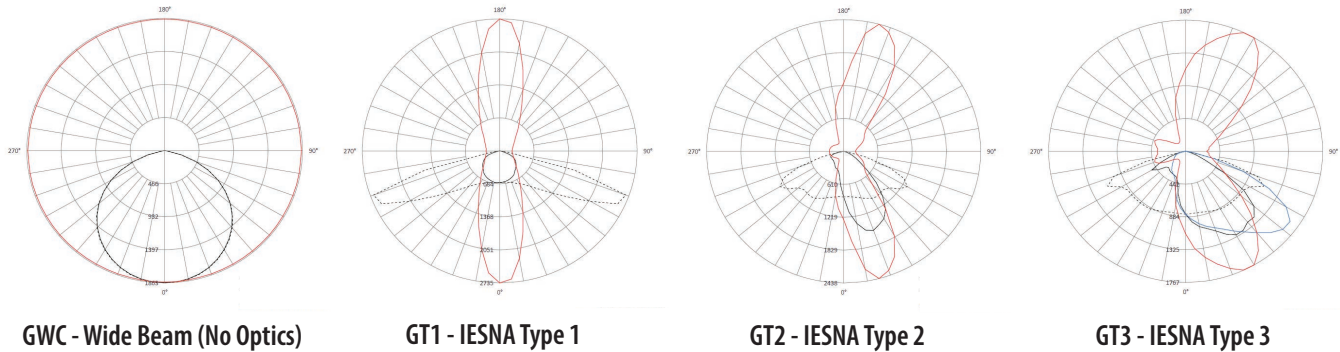


WARRANTY

Five (5) year limited warranty to the original purchaser. The warranty covers defects in materials and workmanship under normal use and service.

For additional information see: <https://www.nemalux.com/legal>

OPTIC OPTIONS



AC MODELS (5000K CCT, minimum)

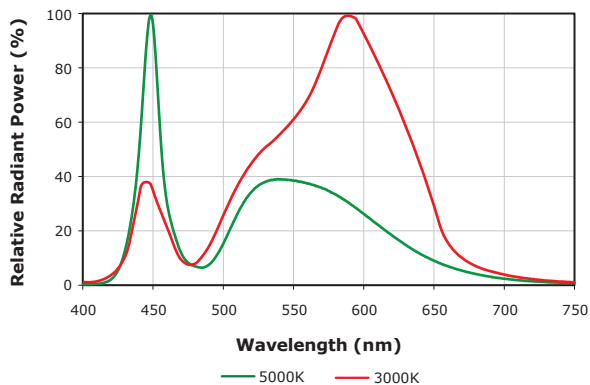
MODEL	LUMENS	WATTS	LUMENS/WATT	MODEL	LUMENS	WATTS	LUMENS/WATT	MODEL	LUMENS	WATTS	LUMENS/WATT	MODEL	LUMENS	WATTS	LUMENS/WATT
JR2	2,874	18	162	JR2	2,033	19	107	JR2	2,084	19	110	JR2	2,091	19	110
JR4	5,227	36	144	JR4	3,609	38	95	JR4	3,700	38	97	JR4	3,613	37	95

HV MODELS (5000K CCT, minimum)

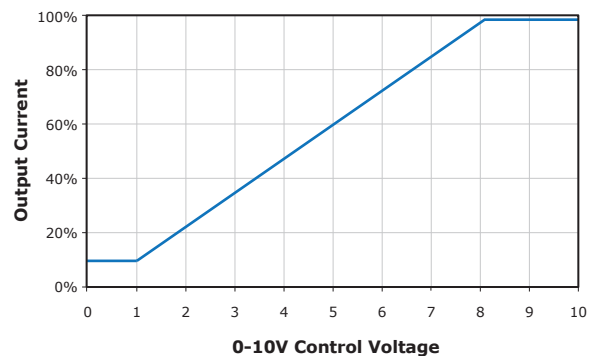
MODEL	LUMENS	WATTS	LUMENS/WATT	MODEL	LUMENS	WATTS	LUMENS/WATT	MODEL	LUMENS	WATTS	LUMENS/WATT	MODEL	LUMENS	WATTS	LUMENS/WATT
JR2	3,218	23	139	JR2	2,033	23	99	JR2	2,334	23	101	JR2	2,341	23	101
JR4	5,227	38	136	JR4	3,609	38	95	JR4	3,700	38	97	JR4	3,613	38	95

Note: Standard offering above, alternate optical profiles available upon request. Contact Nemalux Sales representative for further details. Minimum order quantities, additional costs and lead times may be applicable.

PHOTOMETRICS



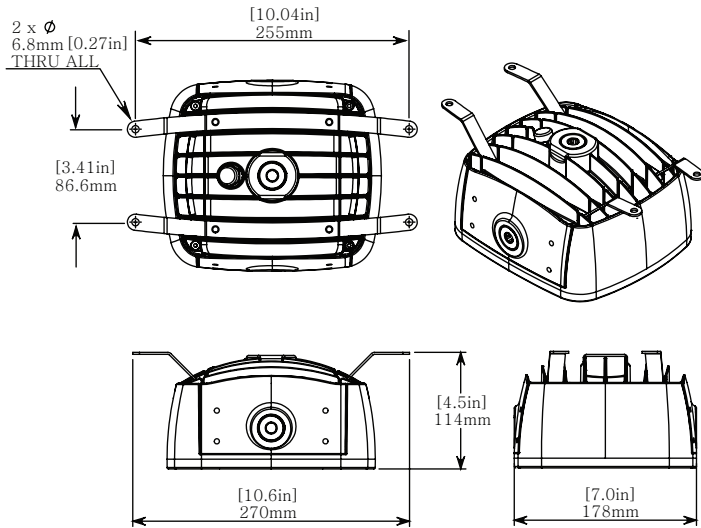
DIMMING



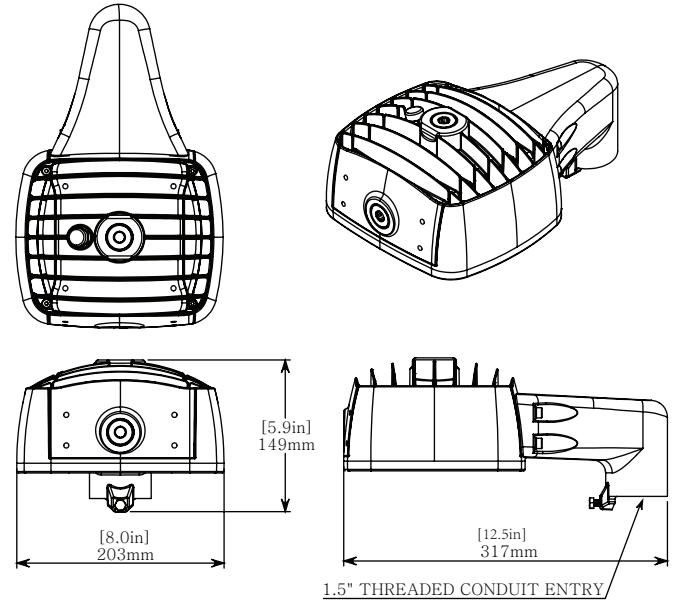
- Driver will source a maximum of 200uA for control needs
- Controller must sink current from the 0-10V control leads

MOUNTING OPTIONS (Order Separately)

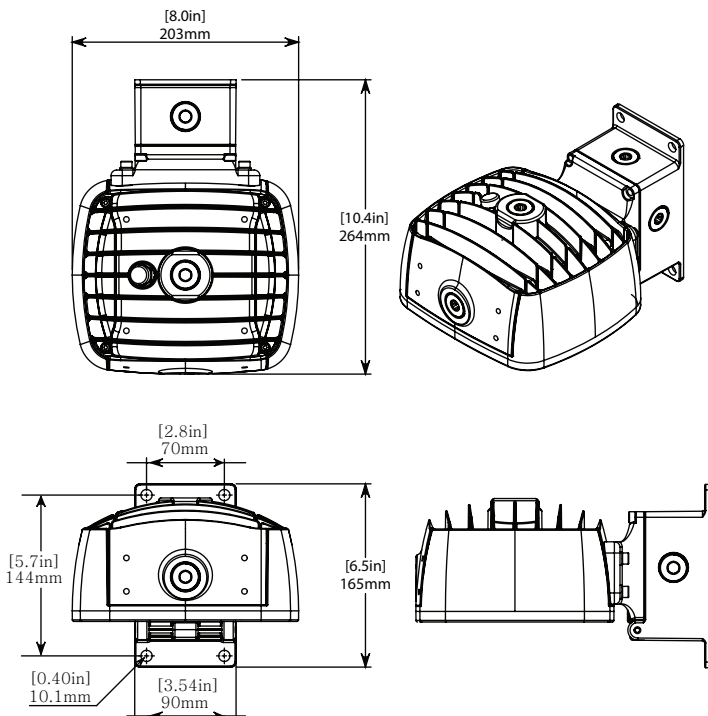
SURFACE MOUNT (JR-SM) : 2.72 kg | 5.98 lbs | EPA: 0.03m² / 0.34ft²



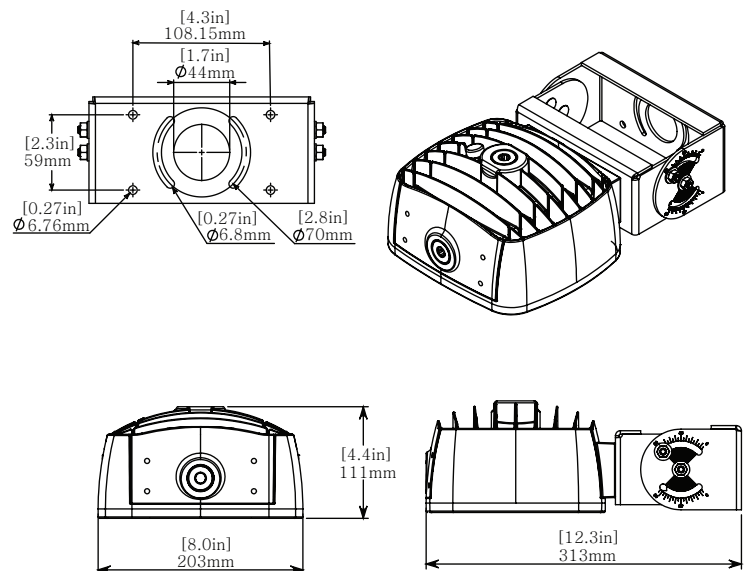
POLE MOUNT (JR-PM) : 3.51 kg | 7.72 lbs | EPA: 0.04 m² / 0.44ft²



WALL MOUNT 2 (JR-WM2) : 3.78 kg | 8.18 lbs | EPA: 0.04 m² / 0.39ft²

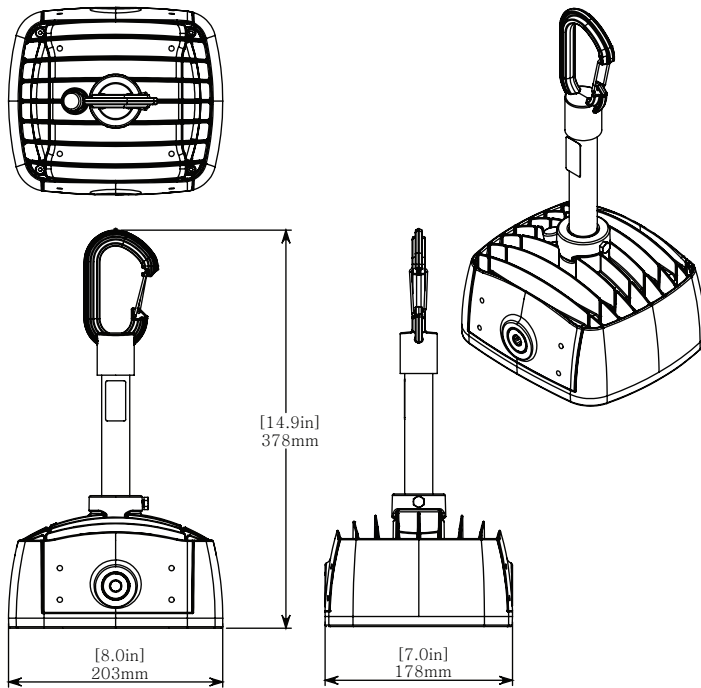


YOKE MOUNT (JR-YM) : 4.38 kg | 9.64lbs | EPA: 0.04 m² / 0.4ft²

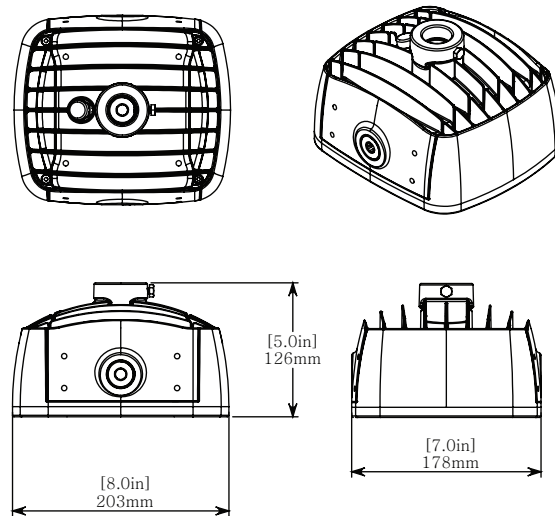


MOUNTING OPTIONS (Order Separately)

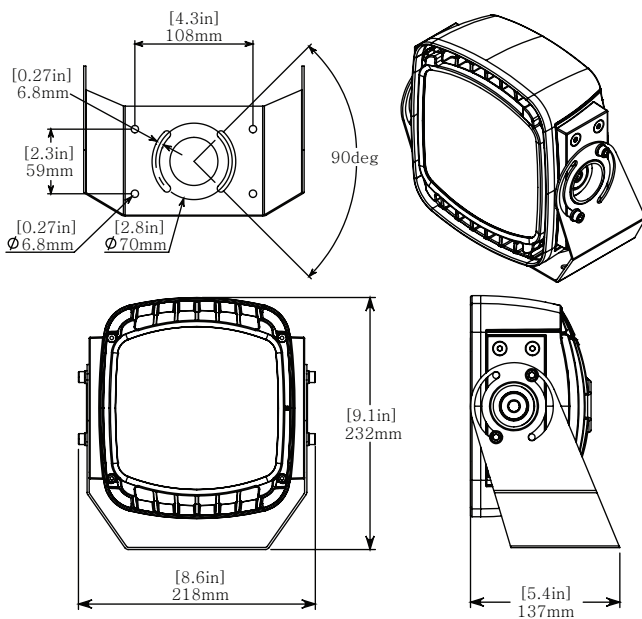
PENDANT HOOK MOUNT (JR-HK) : 3.51 kg | 7.72 lbs



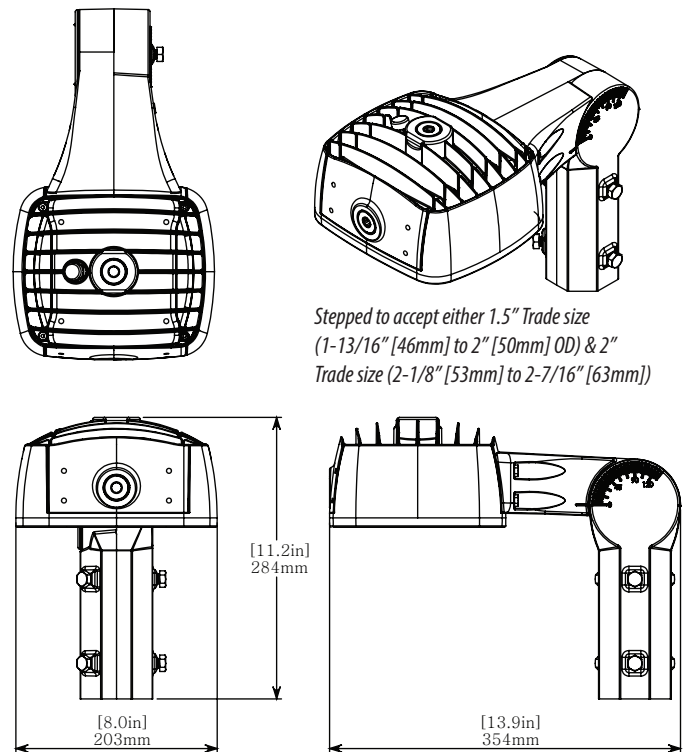
CONDUIT ROTATION LOCK MOUNT (JR-CM) : 2.61 kg | 5.74 lbs



HIGH VIBRATION YOKE MOUNT (JR-YK) : 3.6 kg | 7.92 lbs
EPA: 0.03 m² / 0.36ft²



SLIP FITTER YOKE MOUNT (JR-SFY) : 4.43 kg | 9.75 lbs | EPA: 0.06 m² / 0.6ft²



ORDERING INFORMATION

PROJECT NAME		TYPE
PROJECT LOCATION		
COMMENT		DATE
PREPARED BY		

MODEL SELECTOR

Sample Number: JR4-50-GWC-GY-GN-AC

MODEL	COLOUR	LENS OPTIC	FINISH	LOCATION	POWER
-	-	-	GY	GN	AC
JR2 JR4	50 - 5,000K, 70CRI Special Order: 27 - 2,700K, 70CRI ¹ 27H - 2,700K, 90CRI ¹ 30 - 3,000K, 70CRI ¹ 30H - 3,000K, 90CRI ¹ 35 - 3,500K, 80CRI ¹ 35H - 3,500K, 90CRI ¹ 40 - 4,000K, 70CRI ¹ 40H - 4,000K, 90CRI ¹ 50H - 5,000K, 90CRI ¹ 57 - 5,700K, 70CRI ¹ 57H - 5,700K, 90CRI ¹ 65 - 6,500K, 70CRI ¹ 65H - 6,500K, 90CRI ¹	GWC - Wide Beam with Clear Glass Lens GT1 - Type 1 Beam Profile with Clear Glass Lens GT2 - Type 2 Beam Profile with Clear Glass Lens GT3 - Type 3 Beam Profile with Clear Glass Lens Special Order: GT4 - Type 4 Beam Profile with Clear Glass Lens ¹ GVSM - Type 5 Square Beam Profile with Clear Glass Lens ¹ GS - Spot 18° Beam Profile with Clear Glass Lens ¹ GT - Tight 32° Beam Profile with Clear Glass Lens ¹ GM - Medium 50° Beam Profile with Clear Glass Lens ¹ WC - Wide Beam with Clear Polycarbonate Lens ¹ T1 - Type 1 Beam Profile with Clear Polycarbonate Lens ¹ T2 - Type 2 Beam Profile with Clear Polycarbonate Lens ¹ T3 - Type 3 Beam Profile with Clear Polycarbonate Lens ¹ T4 - Type 4 Beam Profile with Clear Polycarbonate Lens ¹ VSM - Type 5 Square Beam Profile with Clear Polycarbonate Lens ¹ M - Medium 50° Beam Profile with Clear Polycarbonate Lens ¹ S - Spot 18° Beam Profile with Clear Polycarbonate Lens ¹ T - Tight 32° Beam Profile with Clear Polycarbonate Lens ¹	GY - Grey Custom finishes available. Please contact for details. ¹	GN - General Location	AC - 120-277VAC (50/60Hz) HV - 347VAC (50/60Hz)

ACCESSORIES (Order Separately)

Sample Number: JR-SM

ACCESSORY	FINISH
-	-
JR-SM - Surface/Suspended Mount ² JR-PM - Pole Mount JR-WM2 - Wall Mount 2 JR-HK - Pendant Hook Mount JR-YM - Yoke Mount ² JR-YK - High Vibration Yoke Mount ² JR-CC - Conduit Rotation Lock Mount JR-SFY - Slip Fitter Yoke Mount	GY - Grey Custom finishes available. Please contact for details. ¹

NOTES:

1. Minimum order quantities, additional costs and lead times may apply.
2. Only available in stainless steel finish.