



The BL Series Installation Manual



APPLICATION

Nemalux BL luminaires are designed for use indoors, outdoors, wet locations, and areas containing moisture, dirt, corrosion, vibration, and rough usage. The BL luminaire is also certified for use on marine vessels inside, outside and in other severely wet saltwater environments. Models BLXX-XXX-XX-HZ-XX-XX are certified for use in hazardous location areas.

UL File Numbers: Nemalux General Location: E477827
Nemalux Hazardous Location: E477829

BL luminaires are suitable for use in the following areas as defined by the National Electrical Code (NEC) and the Canadian Electrical Code (CEC):

Standards that apply to all models:
UL 1598 and UL 1598A;
CSA C22.2 No. 250.0-18 and CSA C22.2 No. 250.13-17

Standards that apply only to Hazardous Location models (BLXX-XXX-XX-HZ-XX-XX)
UL 844, CSA C22.2 No. 137

Hazardous Location Certification:
Class I, Division 2, Groups ABCD, T4A;
Class II, Division 2, Groups FG, T6;
Class III;
Class I, Zone 2, Group IIC;
Zone 22

Housing: Copper-free Cast Aluminum with Polycarbonate lens
Optional glass window in stainless frame.

Input Voltage: AC: 120/230-277VAC 50/60Hz |
HV: 347VAC 50/60Hz (available for Ordinary location units only)

Rated Wattage: General location (BLXX-XXX-XX-GN-XX-XX): BL20: 17.5W | BL40: 37W
Hazardous location model (BLXX-XXX-XX-HZ-XX-XXX): BL20: 17W | BL40: 34W

Inrush Current: BL(GN-AC): Peak / >10% 120V: 18A / 304uS Duration 277V: 43A / 278uS
BL(GN-HV): Peak / >50% Duration 347V: 3.5A/200uS
BL(HZ-AC): <60A @25C, 277VAC cold start Full Load

Connections: 3 x 3/4" NPT Threaded Entry
Black: Line | White: Neutral/Line 2 | Green: Ground
For connections use wire rated to a minimum of 90° C. Class 1 wiring only.

Temperature Range: -50°C to +65°C

Ingress Protection: IP 66 | Suitable for Wet Locations



WARNING / ATTENTION

WARNING: THIS PRODUCT MUST BE INSTALLED IN ACCORDANCE WITH THE APPLICABLE INSTALLATION CODE BY A PERSON FAMILIAR WITH THE CONSTRUCTION AND OPERATION OF THE PRODUCT AND THE HAZARDS INVOLVED

ATTENTION: CE PRODUIT DOIT ÊTRE INSTALLÉ SELON LE CODE D'INSTALLATION PERTINENT, PAR UNE PERSONNE QUI CONNAÎT BIEN LE PRODUIT ET SON FONCTIONNEMENT AINSI QUE LES RISQUES INHÉRENTS

WARNING / ATTENTION

POTENTIAL ELECTROSTATIC CHARGING HAZARD - SEE INSTRUCTIONS. TO REDUCE THE RISK OF IGNITION OF HAZARDOUS ATMOSPHERES, DISCONNECT THE LUMINAIRE FROM THE SUPPLY CIRCUIT BEFORE OPENING. KEEP TIGHTLY CLOSED WHEN IN OPERATION.

CHARGE ÉLECTROSTATIQUE POTENTIEL DE DANGER - VOIR LES INSTRUCTIONS. POUR RÉDUIRE LE RISQUE D'INFLAMMATION DES ATMOSPHERES DANGEREUSES, DÉBRANCHEZ LE LUMINAIRE DU CIRCUIT ÉLECTRIQUE AVANT D'OUVRIR. CONSERVER HERMÉTIQUEMENT FERMÉ LORSQU'IL EST EN FONCTIONNEMENT.

INSTALLATION STEPS

The Luminaire shall be installed per one of the following mounting means shipped with the luminaire.

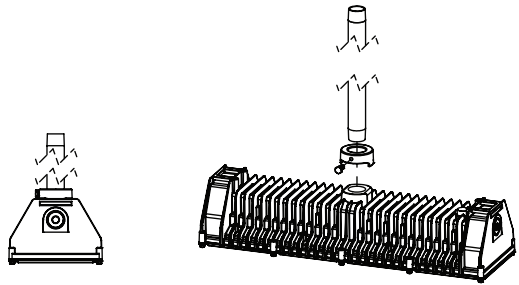
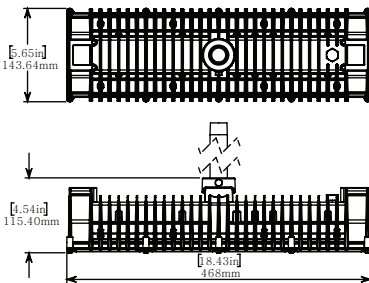
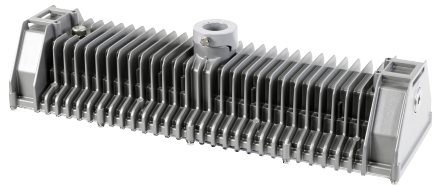
STEP 1.
Mount fixture in desired location.

BL-CM – CONDUIT MOUNT INSTALLATION (Ordered Separately)

Refer to alternate instructions if using Wall, Hook, or Yoke Mount

A) If pendant/conduit mounting R-CC anti-rotation lock accessory, ordered separately, is mandatory when installing below 8ft, per NEC 314.23H2 or installing any hazardous location model.

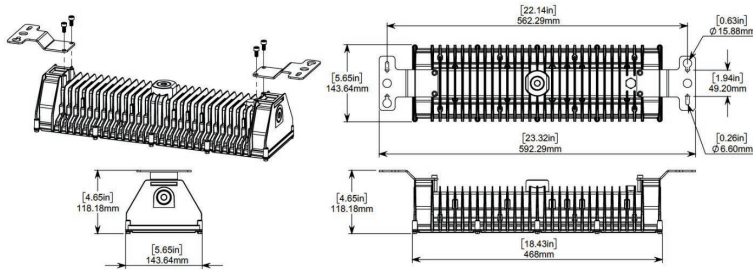
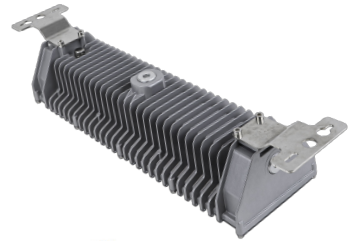
Slide anti-rotation lock onto 3/4" trade size rigid metal conduit and lightly tighten set screw to hold in place. Thread BL luminaire directly onto conduit. Slide anti-rotation lock down over top of mating geometry on luminaire and tighten set screw to 4.5 N-m [40 in-lbs]. Conduit must be suitably mounted using a Listed fixture hanger.



BL-SM – SURFACE/CEILING MOUNT INSTALLATION (Ordered Separately)

(All brackets are ordered separately)

B) For surface mounting, the BL-SM kit is required. Install surface mounting brackets on the BL luminaire as shown using the provided M6 fasteners. Torque M6 fasteners to 4.5 N-m [40 in-lbs]. For surface installation, mount fixture to desired location using 4x ¼-20 or M6 fasteners.



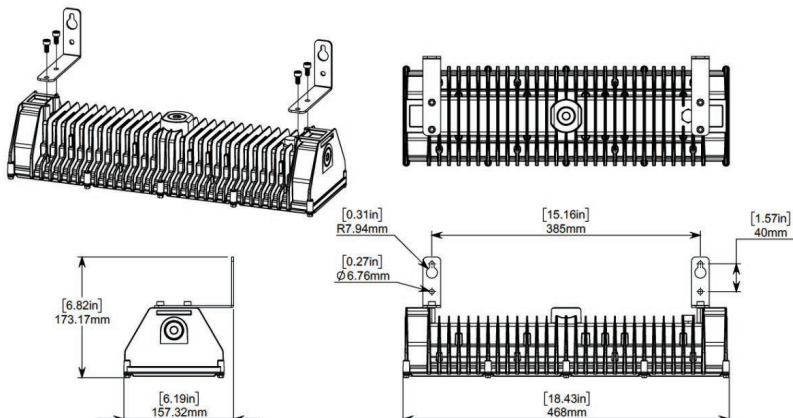
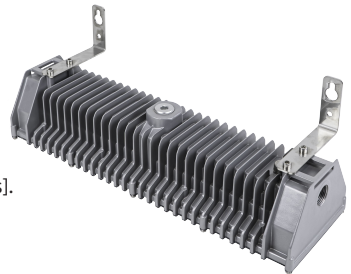
WARNING:
Suspension mounting has not been evaluated for use in hazardous locations.

ATTENTION:
Le montage de la suspension n'a pas été évalué pour une utilisation dans des zones dangereuses.

BL-WM – WALL MOUNT INSTALLATION (Ordered Separately)

(All brackets are ordered separately)

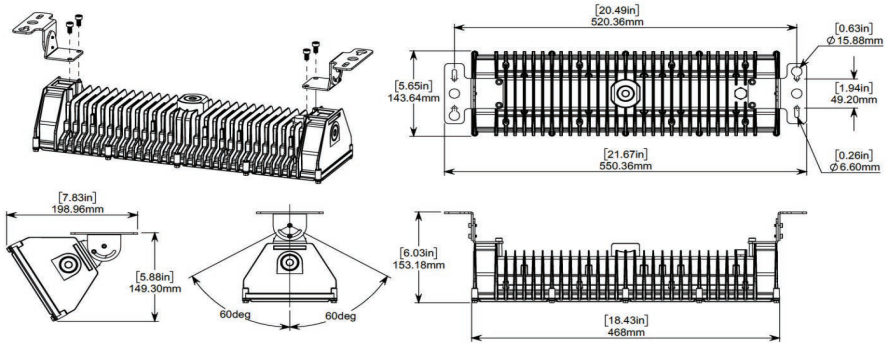
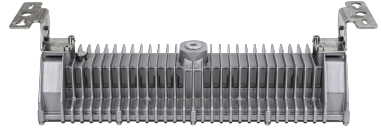
C) For wall mounting, the BL-WM kit is required. Install wall mounting brackets on the BL luminaire as shown using the provided M6 fasteners. Torque M6 fasteners to 4.5 N-m [40 in-lbs]. Mount fixture to desired location using 4x ¼-20 or M6 fasteners.



BL-YM – YOKE MOUNT INSTALLATION (Ordered Separately)

(All brackets are ordered separately)

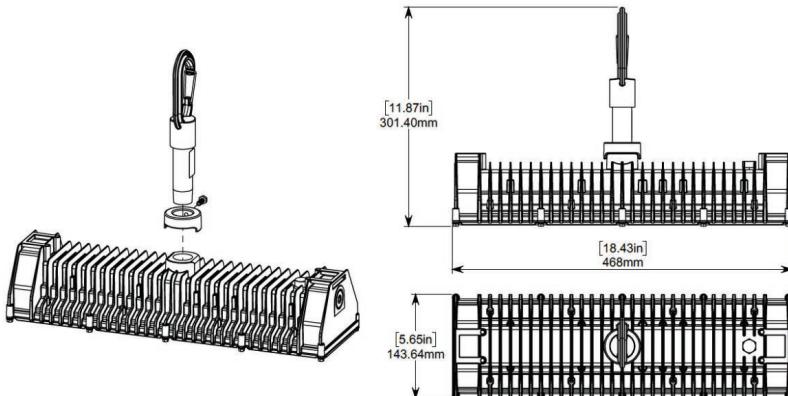
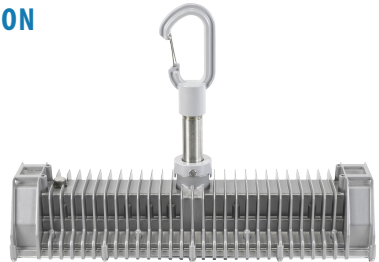
D) For adjustable/swivel bracket mounting, the BL-YM kit is required. Install both swivel bracket A components on the BL luminaire as shown using the provided M6 fasteners. Torque M6 fasteners to 4.5 N-m [40 in-lbs]. Install Swivel Bracket B components as shown, using the provided M4 fasteners. Torque M4 fasteners to 1.7 N-m [15 in-lbs]. Mount fixture to desired location using 4x ¼-20 or M6 fasteners.



BL-HK – HOOK PENDANT MOUNT INSTALLATION (Ordered Separately)

(All brackets are ordered separately)

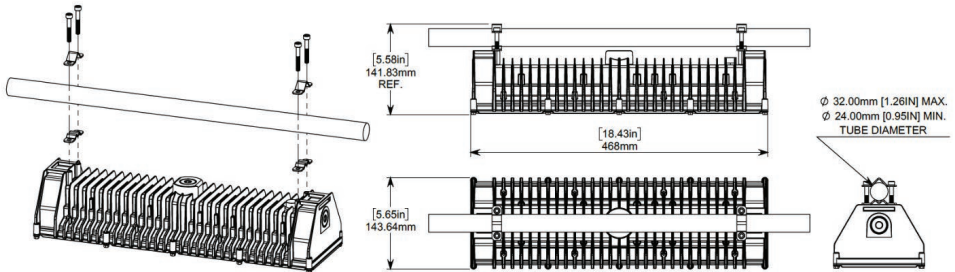
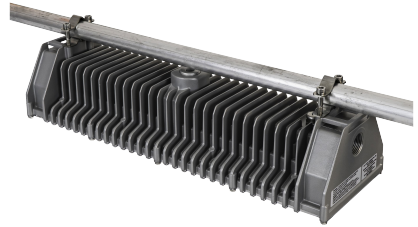
E) For hook pendant installation, the BL-HK kit is required. Slide anti-rotation lock onto suspension hook assembly and install hook assembly into ¾ NPT threaded entry. Tighten to hand tight plus 1 to 2 turns. Slide anti-rotation lock into place and tighten set screw to lock unit in place. Tighten the anti-rotation lock set screw to 4.5 N-m [40 in-lbs]. Clip hook onto eye-bolt or other fixed mounting loop.



BL-TC – TUBE CLAMP MOUNT INSTALLATION (Ordered Separately)

(All brackets are ordered separately)

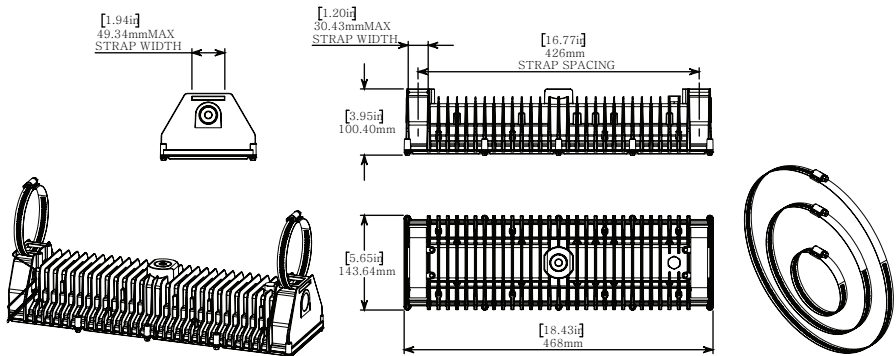
F) For mounting onto tubing between 24.0mm [0.95in] and 32.0mm [1.26in] in diameter, the BL-TC kit is required. Install the Tube Mount components as shown using the provided fasteners. Tighten M6 fasteners by equal amounts until they make contact with the tubing. Torque to a maximum of 4.5 N-m [40 in-lbs] to secure the luminaire.



BL-STRAP MOUNT INSTALLATION (Ordered Separately)

(All brackets are ordered separately)

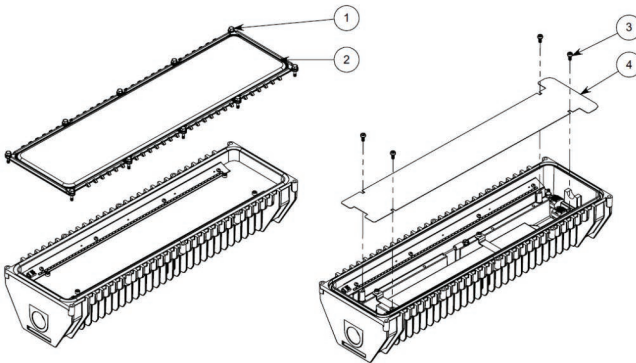
G) For strap mounting onto structural elements, install supplied straps through the slots at the ends of the luminaire and around mounting point. Feed open end through worm drive and tighten screw to secure luminaire.



P/N	QTY	DESCRIPTION
STS12	2	Stainless steel tube clamp, fits 9 3/8" to 12" tubing diameter
STS9	2	Stainless steel tube clamp, fits 7 1/8" to 9 3/4" tubing diameter
STS8	2	Stainless steel tube clamp, fits 5 5/8" to 8 1/4" tubing diameter
STS6	2	Stainless steel tube clamp, fits 4 1/8" to 6 3/4" tubing diameter
STS5	2	Stainless steel tube clamp, fits 3 5/8" to 6 1/4" tubing diameter
STS4	2	Stainless steel tube clamp, fits 3-5/16" to 4-1/4" tubing diameter
STS3	2	Stainless steel tube clamp, fits 2-9/16" - 3-1/4" tubing diameter

STEP 2. (Open luminaire for wiring)

Remove window, reflector and reposition NPT plugs if necessary.



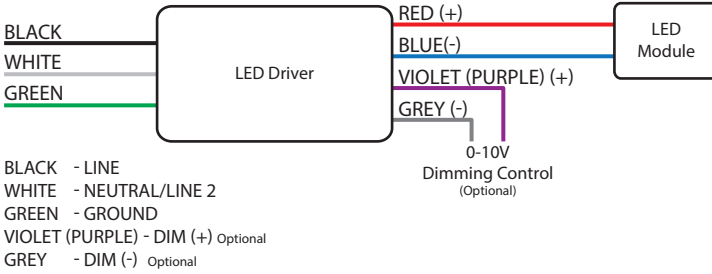
ITEM NO.	DESCRIPTION	QTY.
1	BL WINDOW	1
2	M4 LENS FASTENERS	10
3	M4 REFLECTOR FASTENERS	4
4	BLREFLECTOR	1

STEP 3.

Make wiring connections to luminaire housing using 3/4" NPT trade entries. Follow wiring method requirements of the Canadian Electrical Code or National Electrical Code for the specific general or hazardous location of the installation.

STEP 4.

Make branch circuit connections inside luminaire using the provided splice connectors.


STEP 5.

Make dimming connections if required using the provided wiring connectors. Ensure dimming control is certified and suitable for the classification of the area of installation. The driver will source a maximum of 165µA for 0-10V control. The dimming controller must sink current from the 0-10V control leads.

STEP 6.

Reinstall reflector and window. Tighten M4 fasteners to 1.7 N-m [15 in-lbs].