

KEY FEATURES



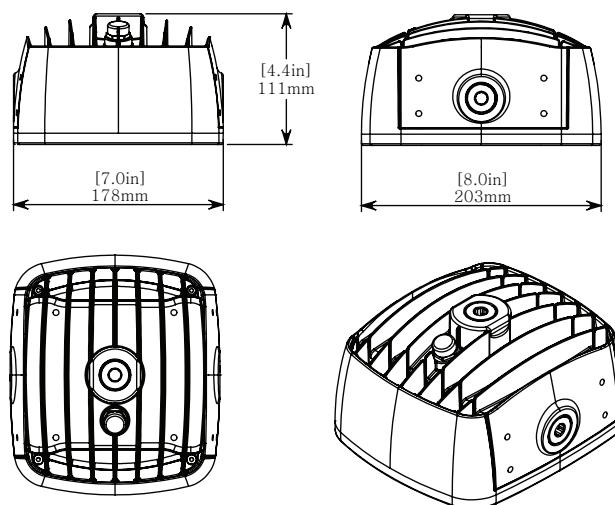
- Compact and multi-functional luminaire for challenging applications
- Thermal separation of LED and power supply allows max ambient temperatures of up to +60°C
- Marine grade copper-free aluminum housing with multi-layer powder coated finish
- Approved for through-wiring of multiple luminaires on a single circuit
- Provided with standard glass or special order polycarbonate* lens
- Available in two lumen output models with several beam profiles
- 3x 3/4" NPT Entrees
- 0-10V dimmable



TECHNICAL SPECIFICATIONS / MAXIMUM RATINGS

| | |
|---------------------------|---|
| HOUSING | Copper-free high pressure die-cast aluminum housing, glass or polycarbonate* protective lens, stainless steel fasteners |
| MOUNTING | SEE PAGE 3 & 4 FOR MOUNTING OPTIONS |
| INPUT VOLTAGE | AC: 120-277 VAC |
| POWER (TYP) | JR2: 18 W JR4: 37 W |
| CURRENT (TYP) | JR2: AC 0.15A @ 120VAC JR4: AC 0.32A @ 120VAC |
| CONNECTIONS | 3/4" NPT |
| TEMPERATURE RANGE | -40°C to +60°C |
| CERTIFICATIONS | Conforms to: CSA C22.2 No. 250.0:21; CSA C22.2 No. 250.12:20; CSA C22.2 No. 137; UL 1598, UL1598A, UL 8750, UL 844; IEC 60529 |
| INGRESS PROTECTION | IP66/67 Suitable for wet locations Marine Outside type (Salt Water) |
| COLOUR TEMP RANGE | 50: 5,000K Special Order: 2,700-6,500K |
| CRI VALUE (MIN) | 50: 70 Higher CRI options available for special order |
| TOTAL LUMENS | JR2: GWC - 2,874 JR4: GWC - 5,227 |
| LUMEN MAINTENANCE | LM-80 > 100,000 hrs** |
| WEIGHT | 2.58 kg 5.68 lbs |

DIMENSIONS



WARRANTY

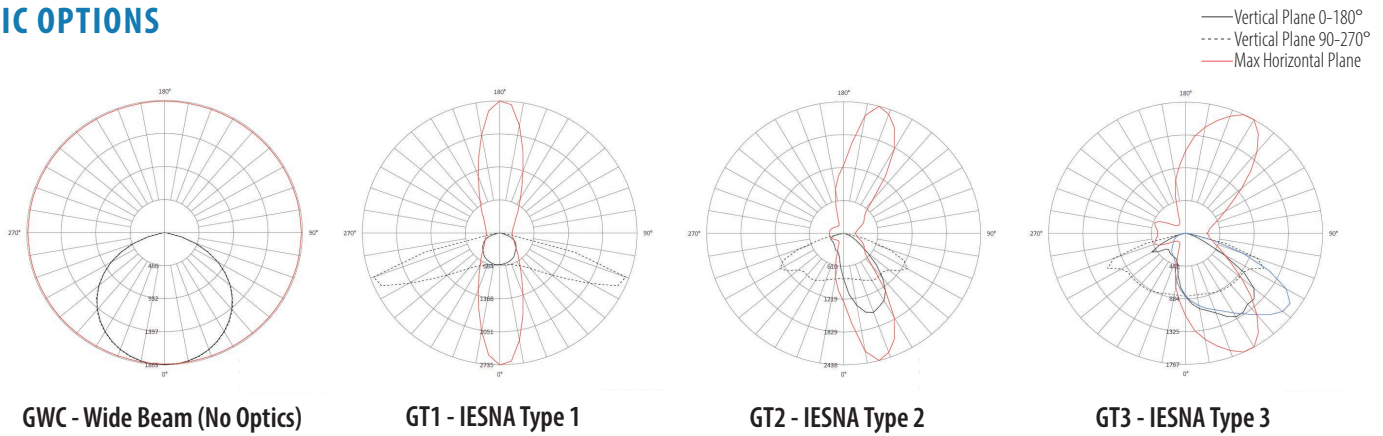
Five (5) year limited warranty to the original purchaser. The warranty covers defects in materials and workmanship under normal use and service.

For additional information see: <https://www.nemalux.com/legal>

*Models with a polycarbonate lens are not approved for Class II Division 1 use

**The ambient temperature during lifetime, lumen and chromaticity determination is 25°C ± 1°C

OPTIC OPTIONS

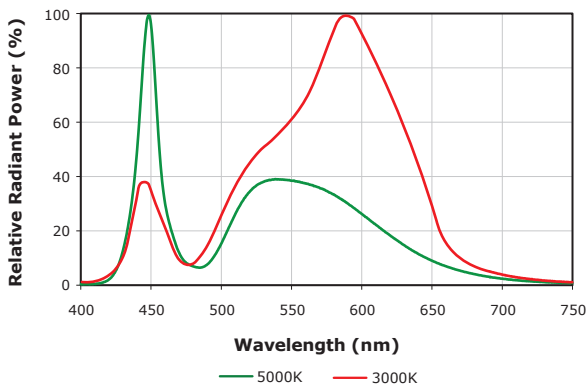


AC MODELS (5000K CCT, minimum)

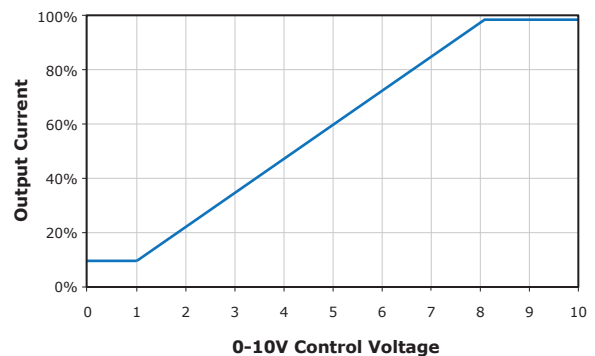
| MODEL | LUMENS | WATTS | LUMENS/WATT | MODEL | LUMENS | WATTS | LUMENS/WATT | MODEL | LUMENS | WATTS | LUMENS/WATT | MODEL | LUMENS | WATTS | LUMENS/WATT |
|-------|--------|-------|-------------|-------|--------|-------|-------------|-------|--------|-------|-------------|-------|--------|-------|-------------|
| JR2 | 2,874 | 18 | 162 | JR2 | 2,033 | 19 | 107 | JR2 | 2,084 | 19 | 110 | JR2 | 2,091 | 19 | 110 |
| JR4 | 5,227 | 36 | 144 | JR4 | 3,609 | 38 | 95 | JR4 | 3,700 | 38 | 97 | JR4 | 3,613 | 37 | 95 |

Note: Standard offering above, alternate optical profiles available upon request. Contact Nemalux Sales representative for further details. Minimum order quantities, additional costs and lead times may be applicable.

PHOTOMETRICS



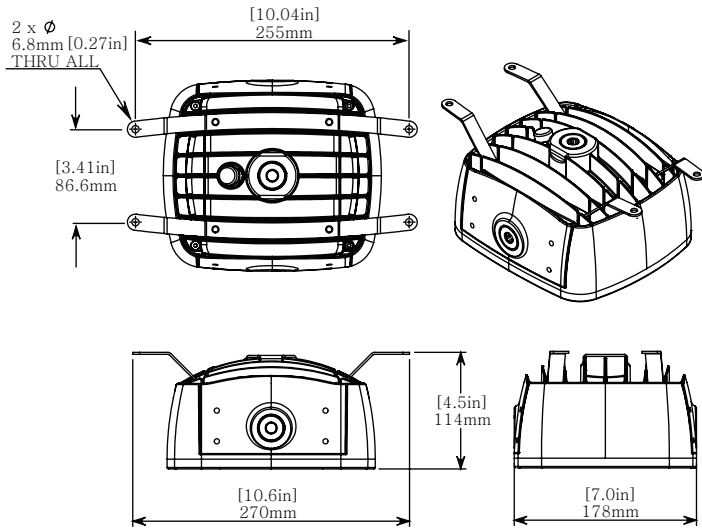
DIMMING



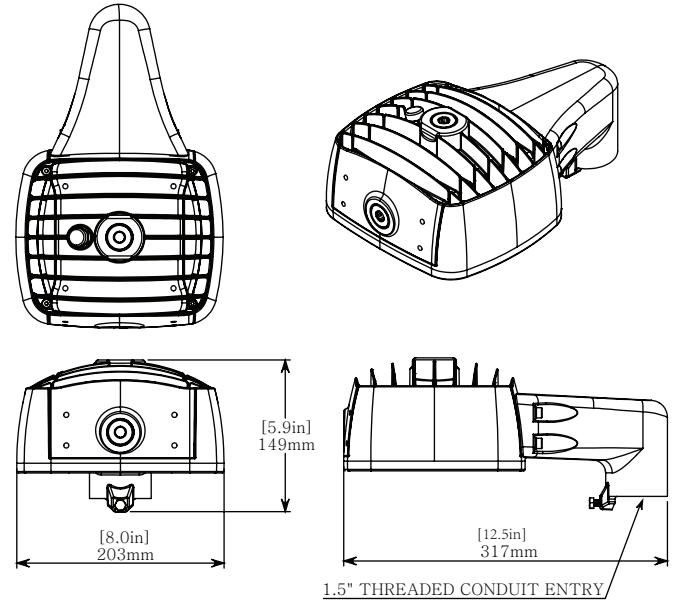
- Driver will source a maximum of 200uA for control needs
- Controller must sink current from the 0-10V control leads

MOUNTING OPTIONS (Order Separately)

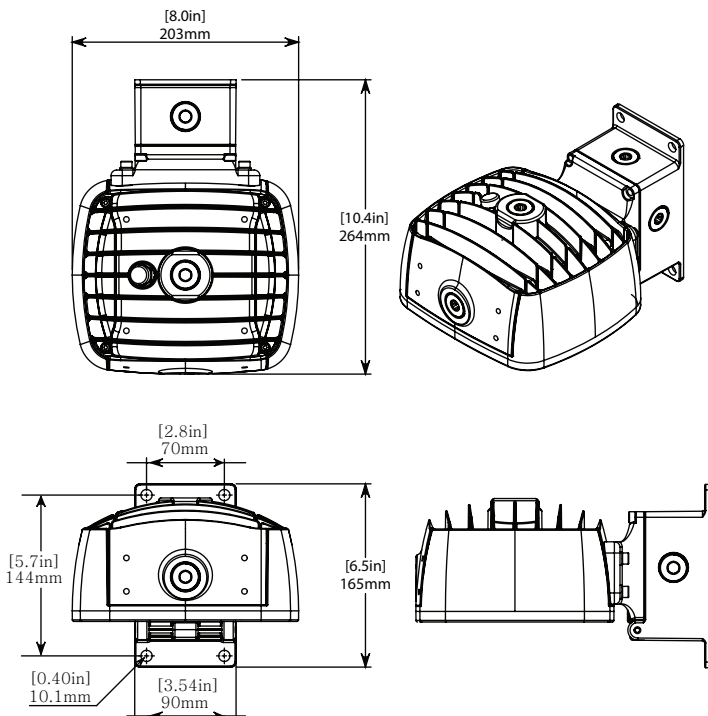
SURFACE MOUNT (JR-SM) : 2.72 kg | 5.98 lbs | EPA: 0.03m² / 0.34ft²



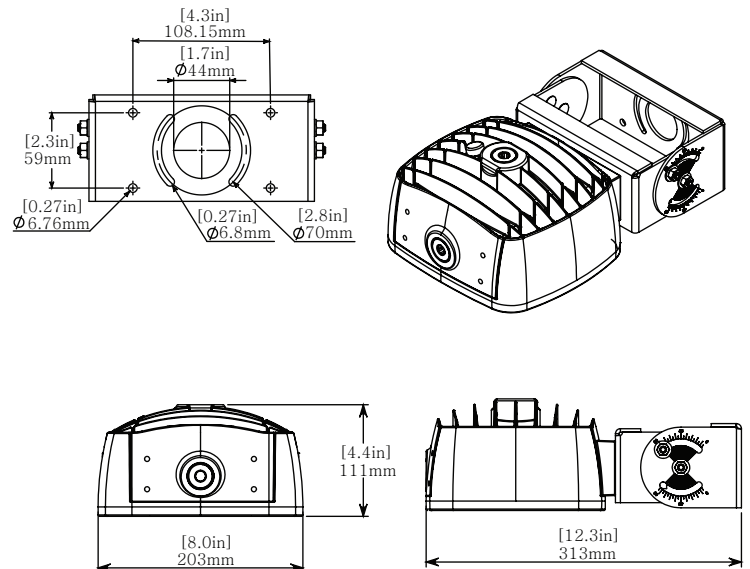
POLE MOUNT (JR-PM) : 3.51 kg | 7.72 lbs | EPA: 0.04 m² / 0.44ft²



WALL MOUNT 2 (JR-WM2) : 3.78 kg | 8.18 lbs | EPA: 0.04 m² / 0.39ft²

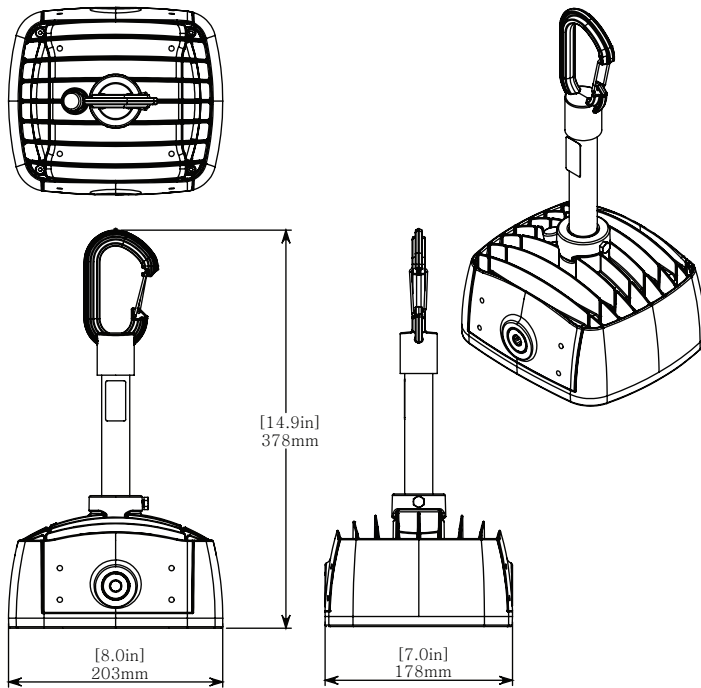


YOKE MOUNT (JR-YM) : 4.38 kg | 9.64lbs | EPA: 0.04 m² / 0.4ft²

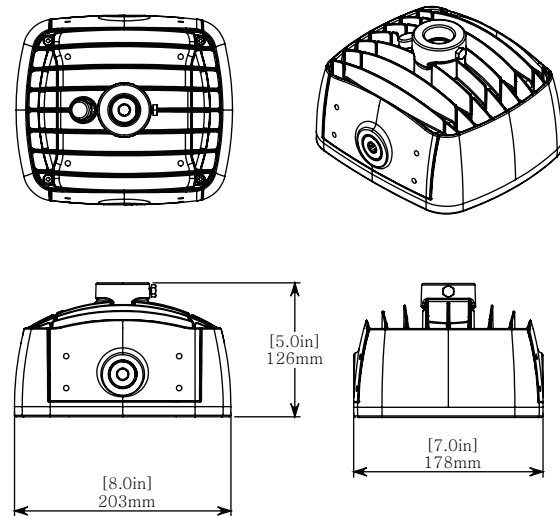


MOUNTING OPTIONS (Order Separately)

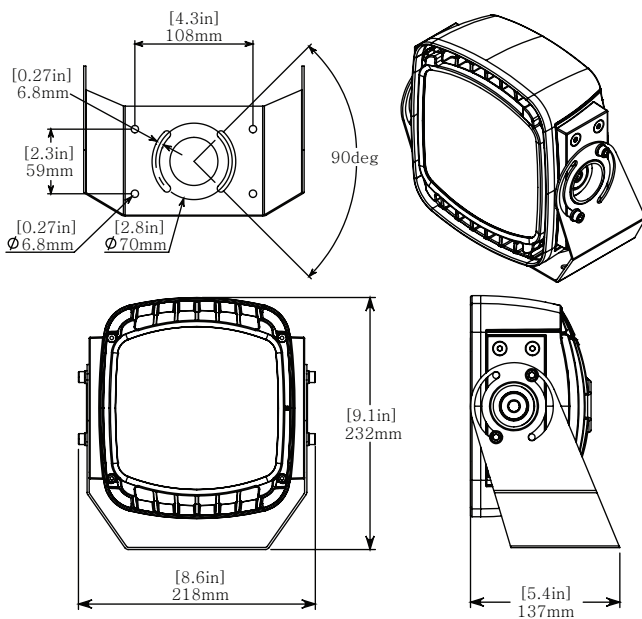
PENDANT HOOK MOUNT (JR-HK) : 3.51 kg | 7.72 lbs



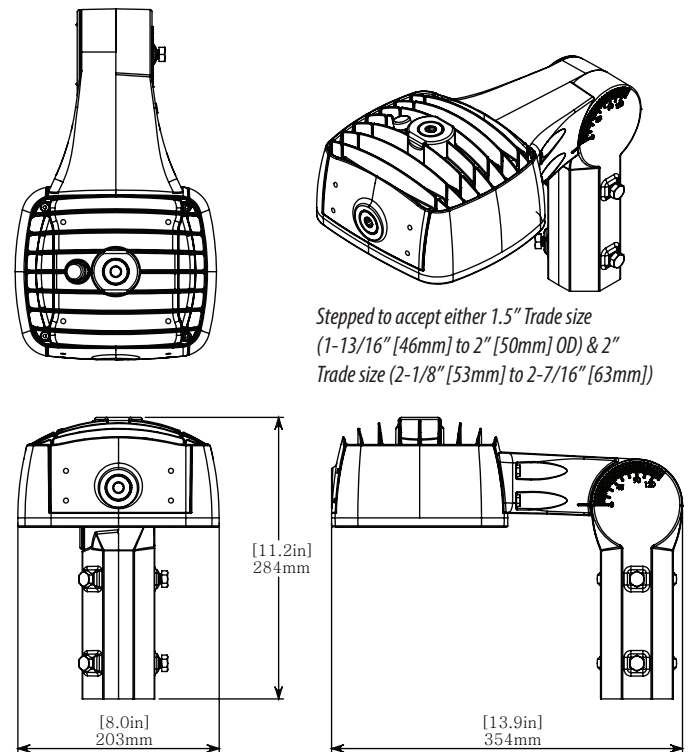
CONDUIT ROTATION LOCK MOUNT (JR-CM) : 2.61 kg | 5.74 lbs



HIGH VIBRATION YOKE MOUNT (JR-YK) : 3.6 kg | 7.92 lbs
EPA: 0.03 m² / 0.36ft²



SLIP FITTER YOKE MOUNT (JR-SFY) : 4.43 kg | 9.75 lbs | EPA: 0.06 m² / 0.6ft²



ORDERING INFORMATION

| | | |
|------------------|--|------|
| PROJECT NAME | | TYPE |
| PROJECT LOCATION | | |
| COMMENT | | DATE |
| PREPARED BY | | |

MODEL SELECTOR

Sample Number: JR4-50-GWC-GY-HZ-AC

| MODEL | COLOUR | LENS OPTIC | FINISH | LOCATION | POWER |
|------------|--|---|---|--------------------------------|----------------------------------|
| - | - | - | GY | HZ | AC |
| JR2 JR4 | 50 - 5,000K, 70CRI Special Order: 27 - 2,700K, 70CRI ¹ 27H - 2,700K, 90CRI ¹ 30 - 3,000K, 70CRI ¹ 30H - 3,000K, 90CRI ¹ 35 - 3,500K, 80CRI ¹ 35H - 3,500K, 90CRI ¹ 40 - 4,000K, 70CRI ¹ 40H - 4,000K, 90CRI ¹ 50H - 5,000K, 90CRI ¹ 57 - 5,700K, 70CRI ¹ 57H - 5,700K, 90CRI ¹ 65 - 6,500K, 70CRI ¹ 65H - 6,500K, 90CRI ¹ | GWC - Wide Beam with Clear Glass Lens GT1 - Type 1 Beam Profile with Clear Glass Lens GT2 - Type 2 Beam Profile with Clear Glass Lens GT3 - Type 3 Beam Profile with Clear Glass Lens Special Order: GT4 - Type 4 Beam Profile with Clear Glass Lens ¹ GVSM - Type 5 Square Beam Profile with Clear Glass Lens ¹ GS - Spot 18° Beam Profile with Clear Glass Lens ¹ GT - Tight 32° Beam Profile with Clear Glass Lens ¹ GM - Medium 50° Beam Profile with Clear Glass Lens ¹ WC - Wide Beam with Clear Polycarbonate Lens ¹ T1 - Type 1 Beam Profile with Clear Polycarbonate Lens ¹ T2 - Type 2 Beam Profile with Clear Polycarbonate Lens ¹ T3 - Type 3 Beam Profile with Clear Polycarbonate Lens ¹ T4 - Type 4 Beam Profile with Clear Polycarbonate Lens ¹ VSM - Type 5 Square Beam Profile with Clear Polycarbonate Lens ¹ M - Medium 50° Beam Profile with Clear Polycarbonate Lens ¹ S - Spot 18° Beam Profile with Clear Polycarbonate Lens ¹ T - Tight 32° Beam Profile with Clear Polycarbonate Lens ¹ | GY - Grey Custom finishes available. Please contact for details. ¹ | HZ - Hazardous Location | AC - 120-277VAC (50/60Hz) |

ACCESSORIES (Order Separately)

Sample Number: JR-SM

| ACCESSORY | FINISH |
|--|---|
| - | - |
| JR-SM - Surface/Suspended Mount ² JR-PM - Pole Mount JR-WM2 - Wall Mount 2 JR-HK - Pendant Hook Mount JR-YM - Yoke Mount ² JR-YK - High Vibration Yoke Mount ² JR-CC - Conduit Rotation Lock Mount JR-SFY - Slip Fitter Yoke Mount | GY - Grey Custom finishes available. Please contact for details. ¹ |

NOTES:

1. Minimum order quantities, additional costs and lead times may apply.
2. Only available in stainless steel finish.