



KEY FEATURES

- Designed for marine, harsh, and hazardous location use
 - Thermal separation of LED and power supply allows max ambient temperatures of up to +75°C
 - Field serviceable light engines, power supply, and components to extend system life
 - Wide range of optical distribution patterns for superior lighting quality
 - Approved for through-wiring of several units on a single circuit
 - Built-in junction area for simplified termination
- 8 mounting options for installation flexibility

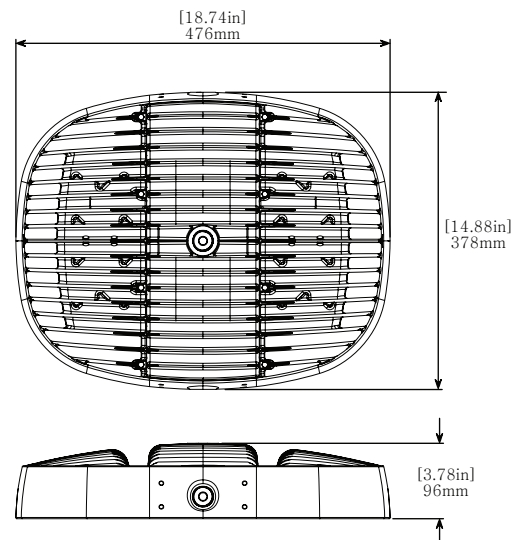


TECHNICAL SPECIFICATIONS / MAXIMUM RATINGS

HOUSING	Copper Free Aluminium and Polycarbonate Lens
MOUNTING	See Pages 2 and 3 for MOUNTING OPTIONS
INPUT VOLTAGE	AC: 120-277 VAC HV: 347-480VAC (50/60Hz)
POWER (TYP)	XR8: WC Flood 47W, Optic 60W XR10: WC Flood 55W, Optic 75W XR15: WC Flood 84W, Optic 103W XR20: WC Flood 141W, Optic 156W
CONNECTIONS	3x 3/4" NPT Entries
TEMPERATURE RANGE	Class I Division 2 Class 1 Zone 2 XR8: -50°C to +75°C T3C XR10: -50°C to +74°C T3C XR15: -50°C to +74°C T3C XR20: -50°C to +67°C T3 (Case ~30°C above ambient) Class II Division 2 Zone 22 All models -50°C to +50°C T3C <i>*Orientation restricted to straight down only.</i>
CERTIFICATIONS	Certified to UL 1598 / CSA C22.2 No. 250.0-08, UL 1598A, UL 8750 / CSA C22.2 No. 250.13-17 Certified to UL 844 and CSA C22.2 No. 137-18: Class I, Division 2 Groups ABCD Class II Division 2 Groups FG Class III Class I, Zone 2, Groups IIC; Zone 22, Groups IIIB;
INGRESS PROTECTION	IP66 Suitable for wet locations. Marine Outside Type (Salt Water).
COLOUR TEMP RANGE	50: 5000K Special Order: 2700-6500K
CRI VALUE (MIN)	50: 70
TOTAL LUMENS	See CHART on Page 2
LUMEN MAINTENANCE	LM-80 > 100,000 hrs (Based on CREE long term testing)
WEIGHT	8.1 kg 17.8 lbs

*The ambient temperature during lifetime, lumen and chromaticity determination is 25°C ± 1°C.

DIMENSIONS

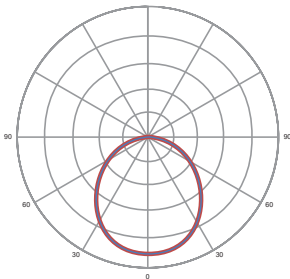


WARRANTY

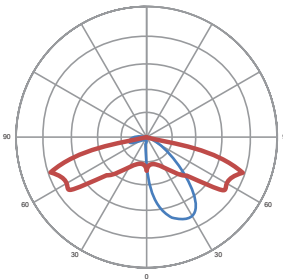
Five (5) year limited warranty to the original purchaser. The warranty covers defects in materials and workmanship under normal use and service.

For additional information see:
<https://nemalux.com/legal>

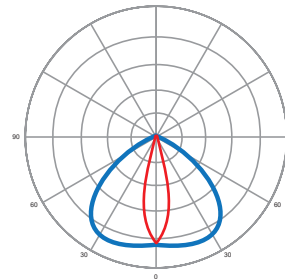
OPTIC OPTIONS



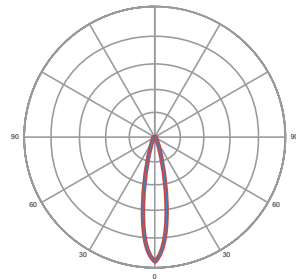
WC - Wide Beam (No Optics)



T3 - IESNA Type 3



OC - Oval 30° x 115°



SC - Spot 20°

AC MODELS (5000K CCT, minimum)

MODEL	LUMENS	WATTS	LUMENS/WATT
XR8	7093	47	151
XR10	8267	55	150
XR15	12866	84	153
XR20	20550	143	144

MODEL	LUMENS	WATTS	LUMENS/WATT
XR8	7790	60	130
XR10	9540	75	127
XR15	12839	103	125
XR20	18036	156	116

MODEL	LUMENS	WATTS	LUMENS/WATT
XR8	7098	60	118
XR10	8692	75	116
XR15	11697	103	114
XR20	16433	156	105

MODEL	LUMENS	WATTS	LUMENS/WATT
XR8	7098	60	128
XR10	8692	75	126
XR15	11697	103	123
XR20	16433	156	114

HV MODELS (5000K CCT, minimum)

MODEL	LUMENS	WATTS	LUMENS/WATT
XR8	7093	49	145
XR10	8267	58	143
XR15	12866	91	141
XR20	20550	148	139

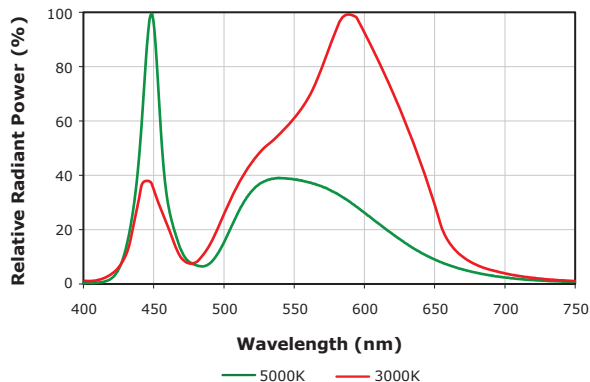
MODEL	LUMENS	WATTS	LUMENS/WATT
XR8	7790	64	122
XR10	9540	77	124
XR15	12839	107	120
XR20	18036	160	113

MODEL	LUMENS	WATTS	LUMENS/WATT
XR8	7098	64	111
XR10	8692	77	113
XR15	11697	107	109
XR20	16433	160	103

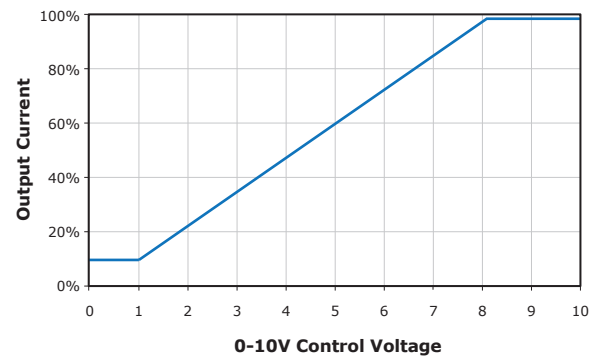
MODEL	LUMENS	WATTS	LUMENS/WATT
XR8	7098	64	120
XR10	8692	77	123
XR15	11697	107	119
XR20	16433	160	111

Note: Standard offering above, 11 alternate optical profiles available upon request. Contact Nemalux Sales representative for further details. Minimum order quantities, additional costs and lead times may apply.

PHOTOMETRICS



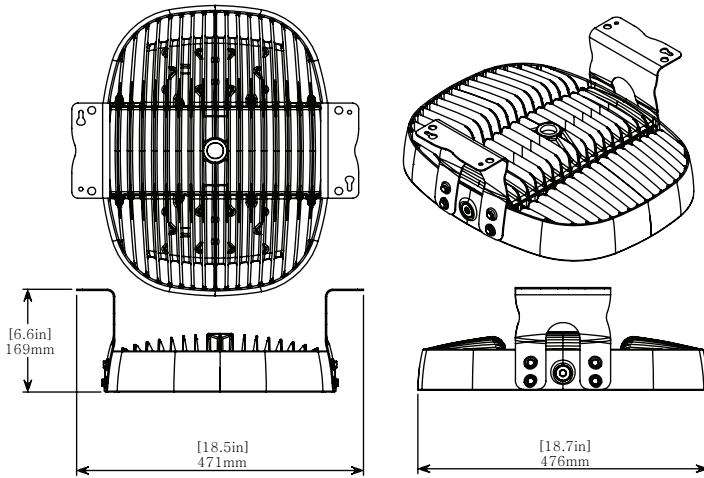
DIMMING



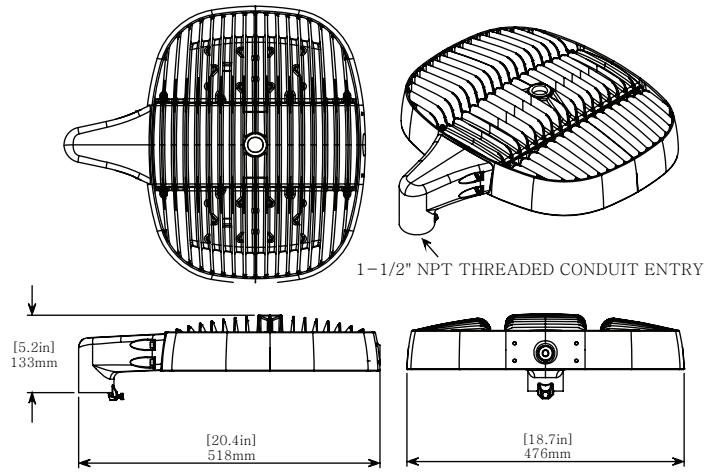
- Driver will source a maximum of 200uA for control needs
- Controller must sink current from the 0-10V control leads

MOUNTING OPTIONS (Ordered Separately)

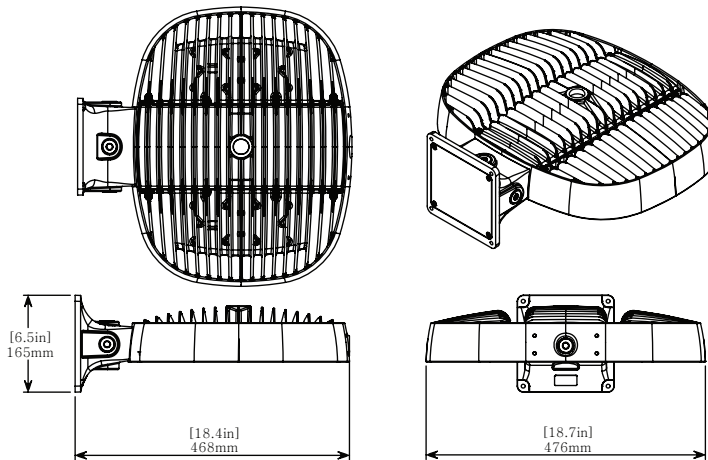
SURFACE/SUSPENDED MOUNT (XR-SM) : 8.5 kg | 18.7 lbs



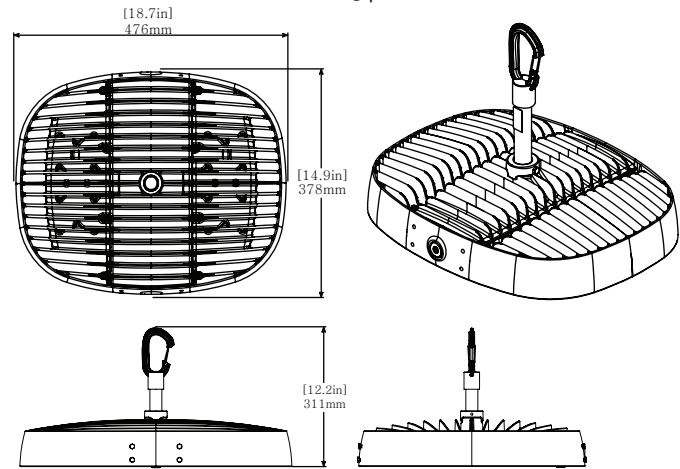
POLE MOUNT (XR-PM) : 8.6 kg | 18.9 lbs | EPA: 0.05 m² / 0.49 ft²



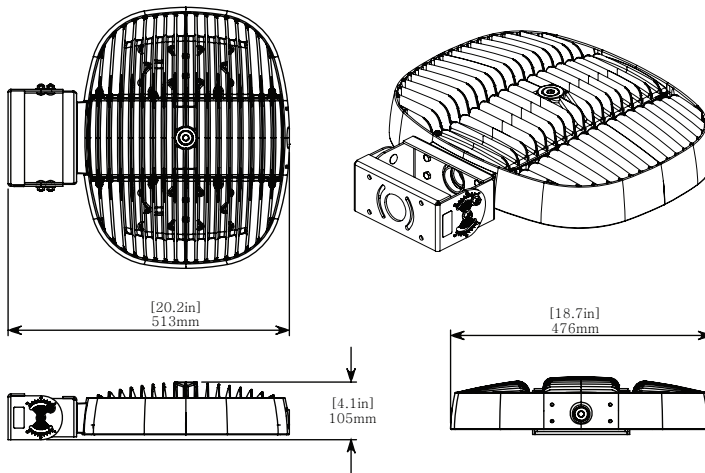
WALL MOUNT (XR-WM) : 9.4 kg | 20.7 lbs



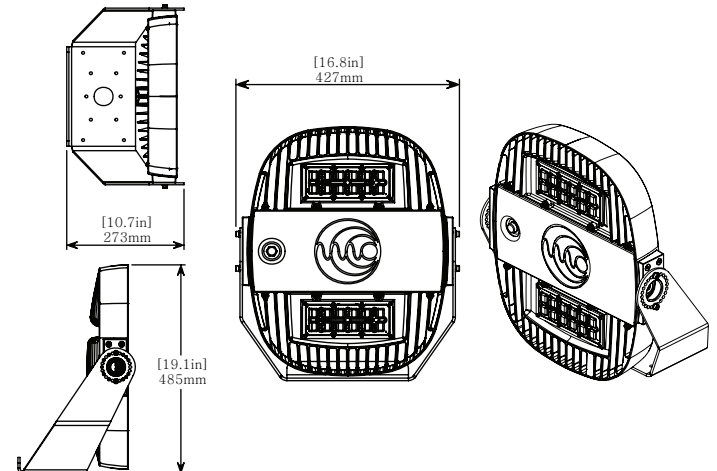
HANGING PENDANT (XR-HK) : 8.1 kg | 17.8 lbs



YOKE MOUNT (XR-YM) : 8.5 kg | 18.7 lbs | EPA: 0.17 m² / 1.80 ft²

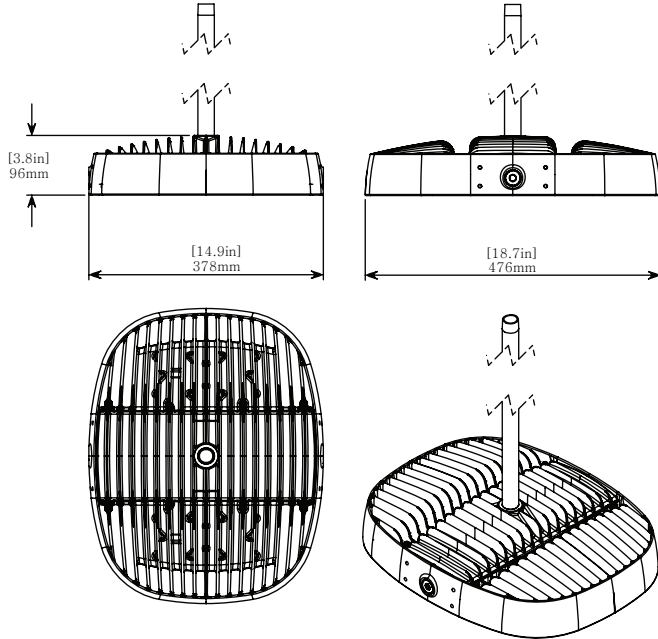


HIGH VIBRATION YOKE (XR-YK) : 12.9 kg | 28.3 lbs | EPA: 0.23 m² / 2.43 ft²

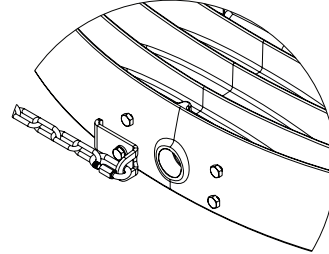


MOUNTING OPTIONS (Ordered Separately)

CONDUIT ROTATION LOCK (XR-CC) : 8.2 kg | 18.0 lbs

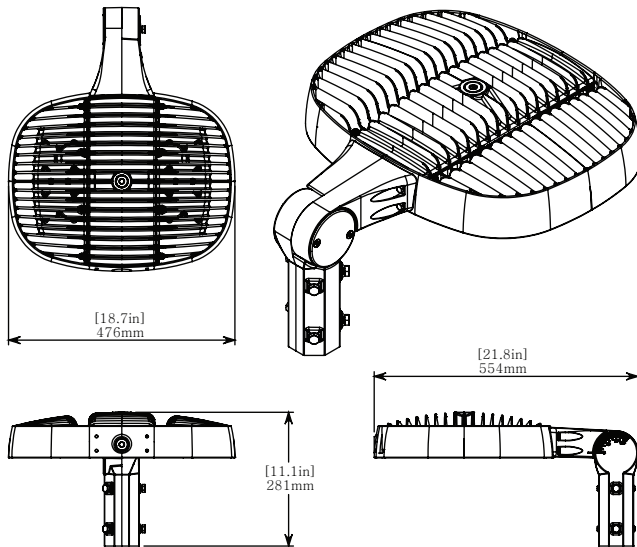


SECONDARY SAFETY KIT (XR-SK-##) : 8.2 kg | 18.0 lbs



represents the safety chain length in feet (i.e. 05=5', 10=10').
Secondary Safety Kit contains bracket, stainless steel chain (1/8 trade size),
and two stainless steel oval threaded connecting links.

SLIP FITTER YOKE MOUNT (XR-SFY) : 10.05 kg | 22.1 lbs | EPA: 0.18 m² / 1.99 ft²



Stepped to accept either 1.5" Trade size (1-13/16" [46mm] to 2" [50mm] OD) & 2" Trade size (2-1/8" [53mm] to 2-7/16" [63mm])

**Per NEC 314.23H2 pendant/conduit installation below 8ft (2.4m) requires the use of an anti-rotation mechanism. XR-CC accessory required. Order separately.

ORDERING INFORMATION

PROJECT NAME		TYPE
PROJECT LOCATION		
COMMENT		DATE
PREPARED BY		

MODEL SELECTOR

Sample Number: XR20-50-WC-GY-HZ-AC

MODEL	COLOUR	OPTIC	FINISH	LOCATION	POWER
-	-	-	GY -	HZ -	
XR8 ⁶ XR10 ⁶ XR15 ⁶ XR20 ⁶	50 - 5000K, 70CRI Special Order: 27 - 2700K, 70CRI ^{1,3} 27H - 2700K, 90CRI ^{1,3} 30 - 3000K, 70CRI ^{1,3} 30H - 3000K, 90CRI ^{1,3} 35 - 3500K, 80CRI ¹ 35H - 3500K, 90CRI ¹ 40 - 4000K, 70CRI ¹ 40H - 4000K, 90CRI ¹ 50H - 5000K, 90CRI ¹ 57 - 5700K, 70CRI ¹ 57H - 5700K, 90CRI ¹ 65 - 6500K, 70CRI ¹ 65H - 6500K, 90CRI ¹	WC - Wide Beam (No optics) MC - Medium 60° OC - Oval 30° x 115° T3 - IESNA Type 3 Special Order: VSM - IESNA Type 5 Short (Square beam for wide area lighting) ¹ ME - Asymmetric 70° x 150° ¹ T29 - Type 2 90 degree rotated where long side of beam must be parallel to luminaire ¹ WW - 90° Spot ¹ T2 - IESNA Type 2 ¹ SC - 20° Spot ¹ NC - 25° Spot ¹	GY - Grey Custom finishes available. Please contact for details. ¹	HZ - Hazardous Locations	AC - 120-277VAC HV - 347-480VAC

ACCESSORIES (Ordered Separately)

Sample Number: XR-PM-GY

ACCESSORY	FINISH	LOCATION
-	GY -	
XR-SM - Surface/Suspended Mount ^{2,3} XR-PM - Pole Mount ³ XR-WM - Wall Mount ³ XR-HK - Hanging Pendant Mount ³ XR-YM - Yoke Mount ² XR-YK - High Vibration Yoke Mount ² XR-CC - Conduit Rotation Lock Mount XR-SFY - Slip Fitter Yoke Mount ⁵ XR-SK-## - Secondary Safety Kit ⁴ XR-SP-AC - Surge Suppressor ⁷ XR-SP-HV - Surge Suppressor ⁷	GY - Grey Custom finishes available. Please contact for details. ¹	HZ - Hazardous Location ⁵

NOTES:

- Minimum order quantities, additional costs and lead times may apply.
- Only available in stainless steel finish.
- IDA Fixture Seal of Approval only applies to fixtures with a CCT of 3000K or less, and have fixed mounts aiming the fixture perpendicular to the ground.
- ## represents the safety chain length in feet (i.e. 05=5', 10=10').
Secondary Safety Kit contains bracket, stainless steel chain (1/8 trade size), and two stainless steel oval threaded connecting links.
- XR-SFY-GY-HZ > only applied to slip fitter yoke mount for hazardous locations.

6. DLC Listed models:

DesignLights Consortium (DLC) v5.1 Qualified LED Luminaire Listings			
Model No.	Category	General Application	Classification
XR8-50-WC-xx-GN-AC	Outdoor Luminaires	Mid Output	DLC Premium
XR8-50-WC-xx-HZ-AC	Outdoor Luminaires	Mid Output	DLC Standard
XR10-50-WC-xx-GN-AC	Outdoor Luminaires	Mid Output	DLC Premium
XR10-50-WC-xx-HZ-AC	Outdoor Luminaires	Mid Output	DLC Standard
XR15-50-WC-xx-GN-AC	Outdoor Luminaires	High Output	DLC Premium
XR15-50-WC-xx-GN-AC	Indoor Luminaires	High-Bay	DLC Standard
XR15-50-WC-xx-HZ-AC	Outdoor Luminaires	High Output	DLC Premium
XR15-50-WC-xx-HZ-AC	Indoor Luminaires	High-Bay	DLC Standard
XR20-50-WC-xx-GN-[AC,HV]	Outdoor Luminaires	High Output	DLC Premium
XR20-50-WC-xx-GN-[AC,HV]	Indoor Luminaires	High-Bay	DLC Standard
XR20-50-WC-xx-HZ-[AC,HV]	Outdoor Luminaires	High Output	DLC Premium
XR20-50-WC-xx-HZ-[AC,HV]	Indoor Luminaires	High-Bay	DLC Standard

7. Surge Suppressor Options:

XR-SP-AC – 277V FOR USE WITH -AC XR MODELS

-Protects against surges and transients per ANSI C62.41-2002 category C high (10KV, 1.2/50µs & 10KA, 8/20µs) standard Combo waves and (6KV, 100KHz) Ring wave

-Protects against surges and transients per new ANSI C82.77-5 2015 category C high (20KV, 1.2/50µs & 10KA, 8/20µs) standard Combo waves and (6KV, 100KHz) Ring wave

XR-SP-HV – 480V FOR USE WITH -HV XR MODELS

-Protects against surges and transients per ANSI C62.41-2002 category C high (10KV, 1.2/50µs & 10KA, 8/20µs) standard Combo waves and (6KV, 100KHz) Ring wave

-Protects against surges and transients per new ANSI C82.77-5 2015 category C high (20KV, 1.2/50µs & 10KA, 8/20µs) standard Combo waves and (6KV, 100KHz) Ring wave