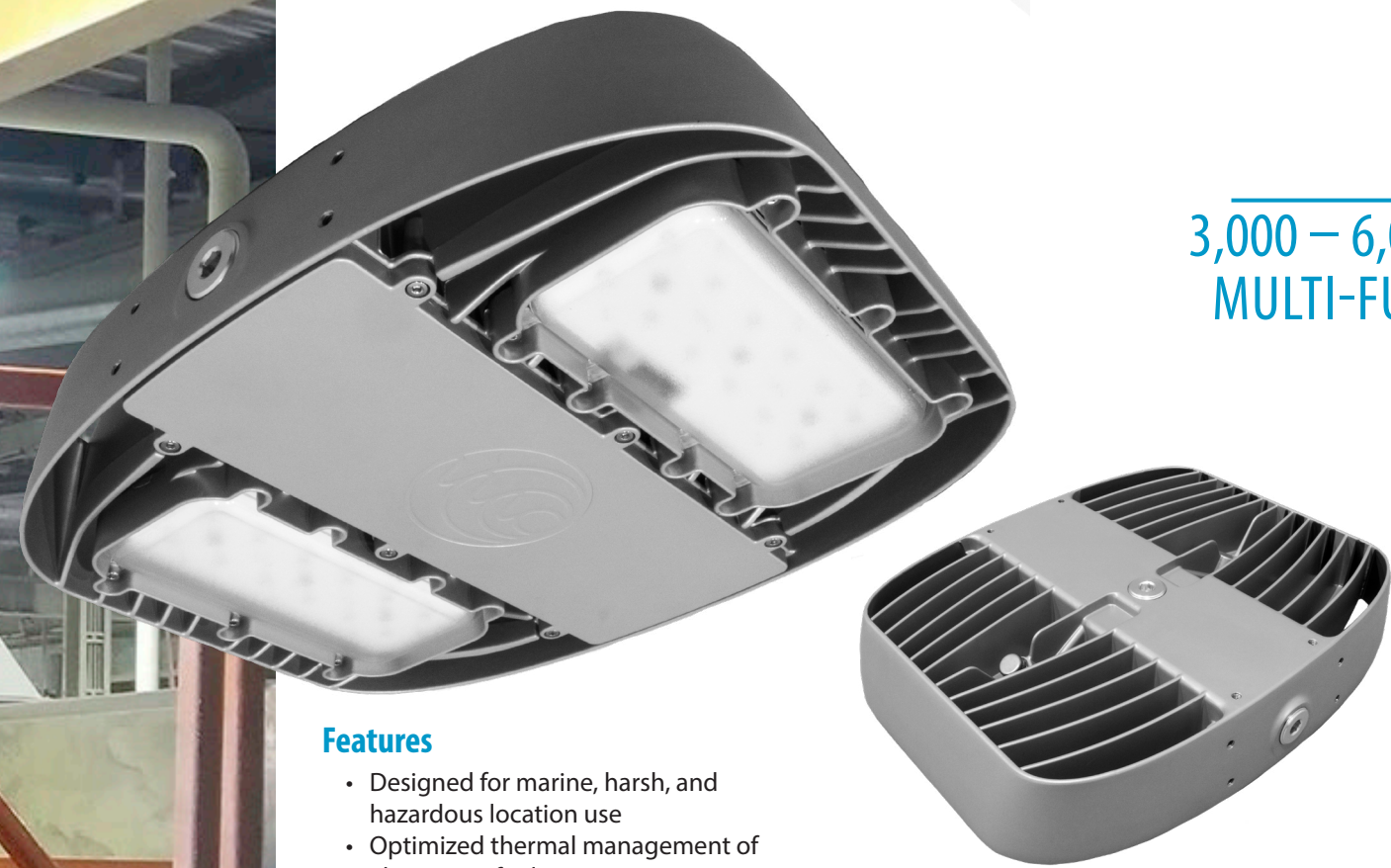




MR

3,000 – 6,000 LUMEN
MULTI-FUNCTIONAL
LUMINAIRE



Features

- Designed for marine, harsh, and hazardous location use
- Optimized thermal management of electronics for longevity
- Wide range of optical distribution patterns for superior lighting quality
- Field serviceable light engines, power supply and components to extend system life
- Approved for through-wiring of several units on a single circuit
- Built-in junction area for simplified termination
- 8 mounting options for installation flexibility

Certifications

Certified for general and marine location use under

- UL 1598, UL 1598A and UL 8750
- CSA C22.2 No. 250.0 & No. 250.13

Certified for hazardous locations use under

- UL 844
- CSA C22.2 No. 137

With the following ratings:

- Class I, Division 2, Groups ABCD, T4;
- Class II, Division 2, Groups FG, T4A;
- Class III;
- Class I, Zone 2, Group IIC;
- Zone 22

Warranty

- Five (5) year limited warranty

Applications

Approved for use in general, marine, & hazardous locations.

Input range available in 120-277 Volts AC (50/60 Hz) or 347 Volts AC (50/60 Hz).

Ingress protection level is IP66/67.

Ambient temperature range is -40°C to +55°C.

Fixture weight excluding mounts is 4.6 kg | 10.4 lbs.

External dimensions excluding mounts are 14.5" x 11.5" x 2.5".

MR is a versatile and hazardous location rated LED luminaire designed for industrial applications. Lightweight and low-profile aluminum housing for ease of installation. High efficiency optical design for improved illumination.



 **Nemalux™**

1018 72nd Ave NE
Calgary, AB, Canada

T2E 8V9

P: 403.242.7475

F: 403.243.6190

info@nemalux.com

www.nemalux.com

 MADE IN CANADA

MR

Product Features

Junction Box

- Direct heat transfer from power supply to external case for optimal performance
- Plenty of wiring space for optional accessories (Contact us for custom options)
- 3/4" NPT entry
- IP 66/67 rated. Suitable for wet locations

Nichia LEDs

- Proven reliability
- High efficiency
- Superior CRI
- Several CCT options for added design flexibility

Light Engine

- Metal core PCB (MCPCB)
- Modular Optics

Housing

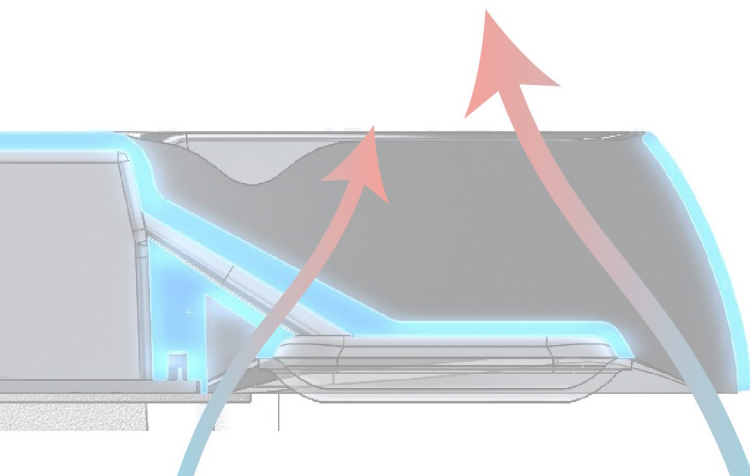
- Copper-free high pressure die-cast aluminum case
- Triple layer coating suitable for marine applications
- Physical separation between power supply and LEDs
- Lens and case are designed to withstand severe impact

Power Supplies

- Two input ranges for ultimate flexibility
- Utilizes high performance LED drivers for better efficiency and up to 100,000 hours of maintenance-free operation
- Built-in JB with 3/4" NPT entry

Thermal Management

- Ample surface area of head ensures LEDs are kept running at maximum efficiency, even at 55°C temperature
- Unique heat sink design creates increased airflow for optimal LED and power supply operating temperature
- Physical separation of electronics for increased system reliability
- Perimeter band adds ruggedness and channels heat through fins with laminar flow principles

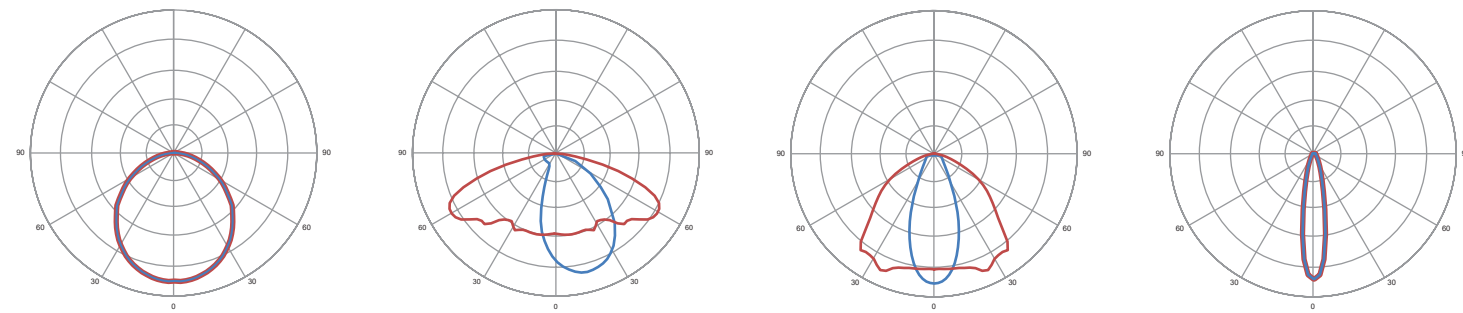


MODEL NUMBER SELECTOR Example: MR6-CW-WF-GY-HZ-AC

Model	Colour	Optic	Finish	Location	Power
MR3 MR6	CW - 5000K Additional options available. Please refer to spec sheet. ¹	WF - Wide (No optic) T2F - IESNA Type 2 OF - Oval 26° x 108° SF - Spot 18° Additional options available. Please refer to spec sheet. ¹	GY - Grey Custom finishes available. Please contact for details. ¹	GN - General Location HZ - Hazardous Locations	AC - 120-277VAC HV - 347VAC

¹. Minimum order quantities, additional costs and lead times may incur.

OPTIC OPTIONS



WF - Wide Beam (No Optic)

	LUMEN OUTPUT (CW)
MR3	3393
MR6	6283

T2F - IESNA Type 2

	LUMEN OUTPUT (CW)
MR3	2980
MR6	5520

OF - Oval 26° x 108°

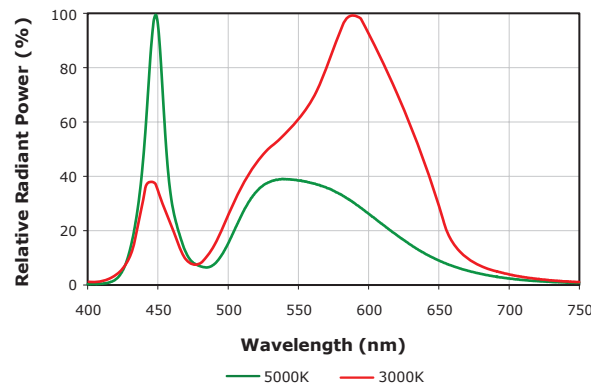
	LUMEN OUTPUT (CW)
MR3	3290
MR6	6090

SF - Spot 18°

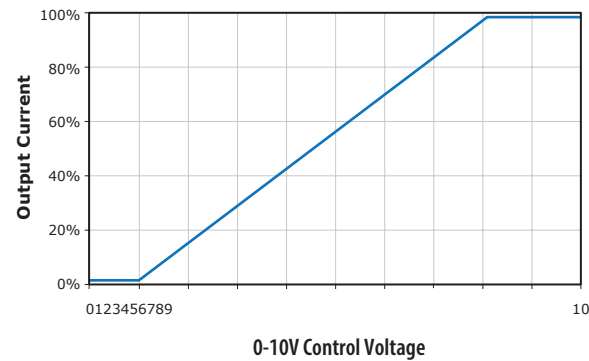
	LUMEN OUTPUT (CW)
MR3	3380
MR6	6265

Note: Standard offering above, 13 alternate optical profiles available upon request. Contact NemaLux Sales representative for further details. Minimum order quantities, additional costs and lead times may incur.

PHOTOMETRICS



DIMMING



- Driver will source a maximum of 200uA for control needs
- Controller must sink current from the 0-10V control leads

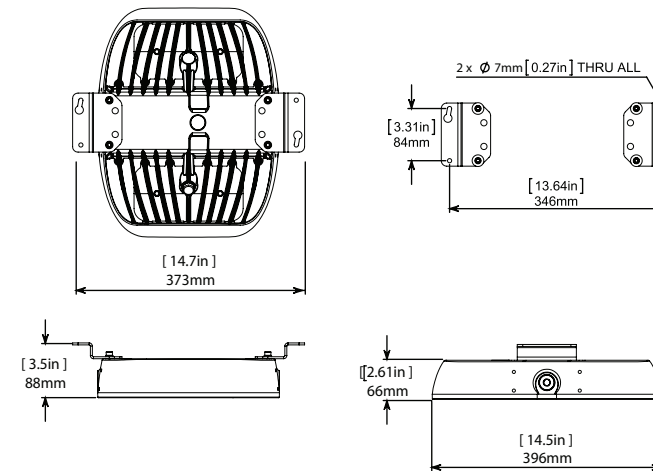


To inquire about products, discuss your needs or get a no-obligation lighting layout from our experts, please contact us.

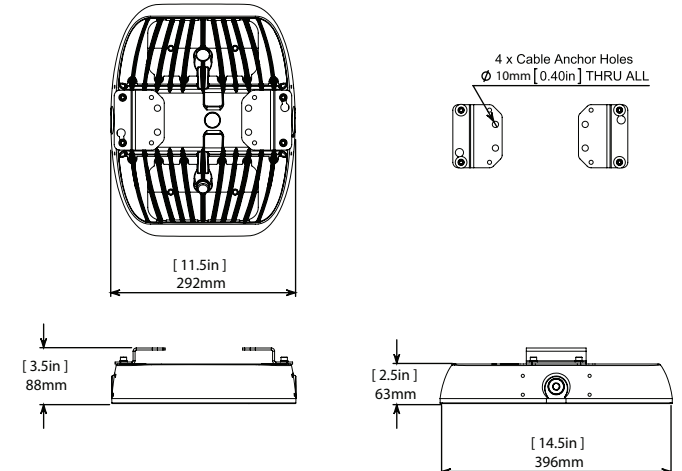
1-877-636-2589

MOUNTING OPTIONS (Ordered Separately)

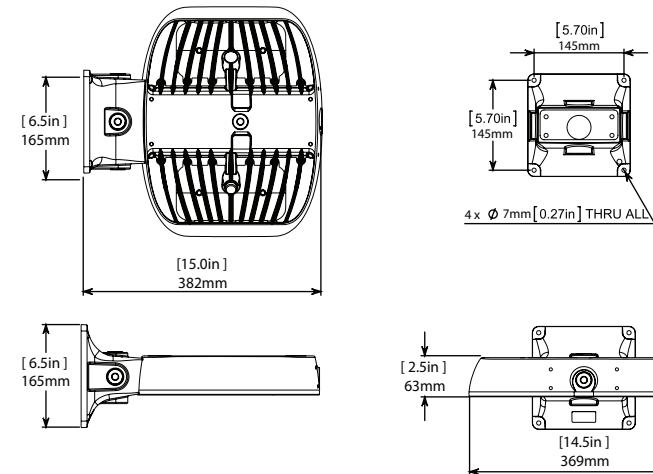
SURFACE MOUNT: 5.3 kg | 11.7 lbs



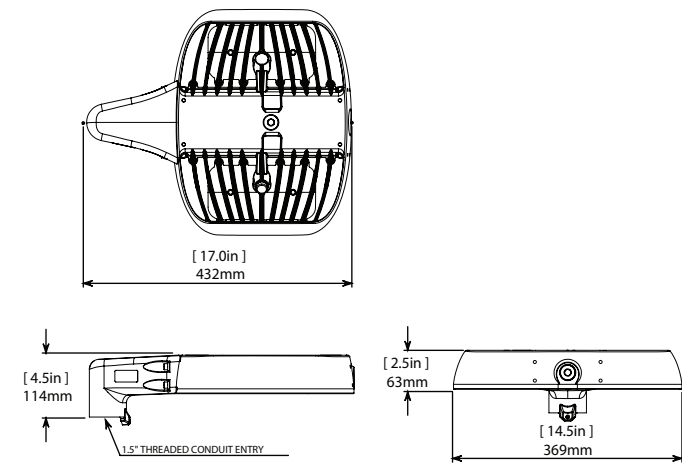
SUSPENDED MOUNT: 5.3 kg | 11.7 lbs



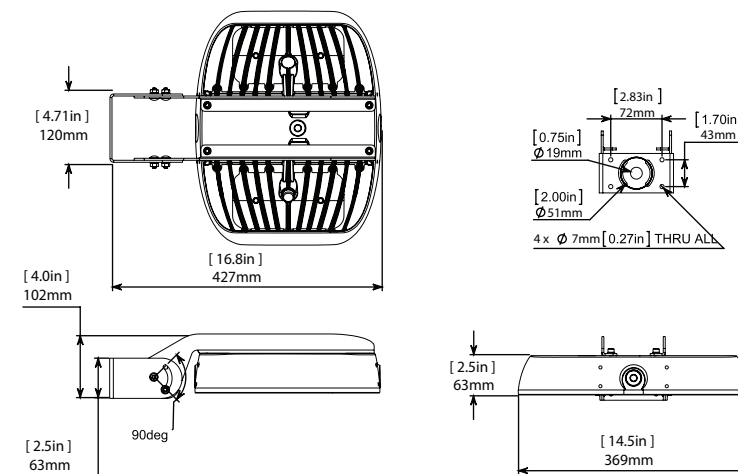
WALL PACK MOUNT (MR-WM): 6.8 kg | 15.0 lbs



POLE MOUNT (MR-PM): 5.6 kg | 12.4 lbs | EPA: 0.04 m² / 0.44 ft²



YOKE MOUNT (MR-YM): 6.3 kg | 13.9 lbs | EPA: 0.12 m² / 1.29 ft²



HOOK PENDANT MOUNT (MR-HK): 4.9 kg | 10.8 lbs

